

h0@

) - U

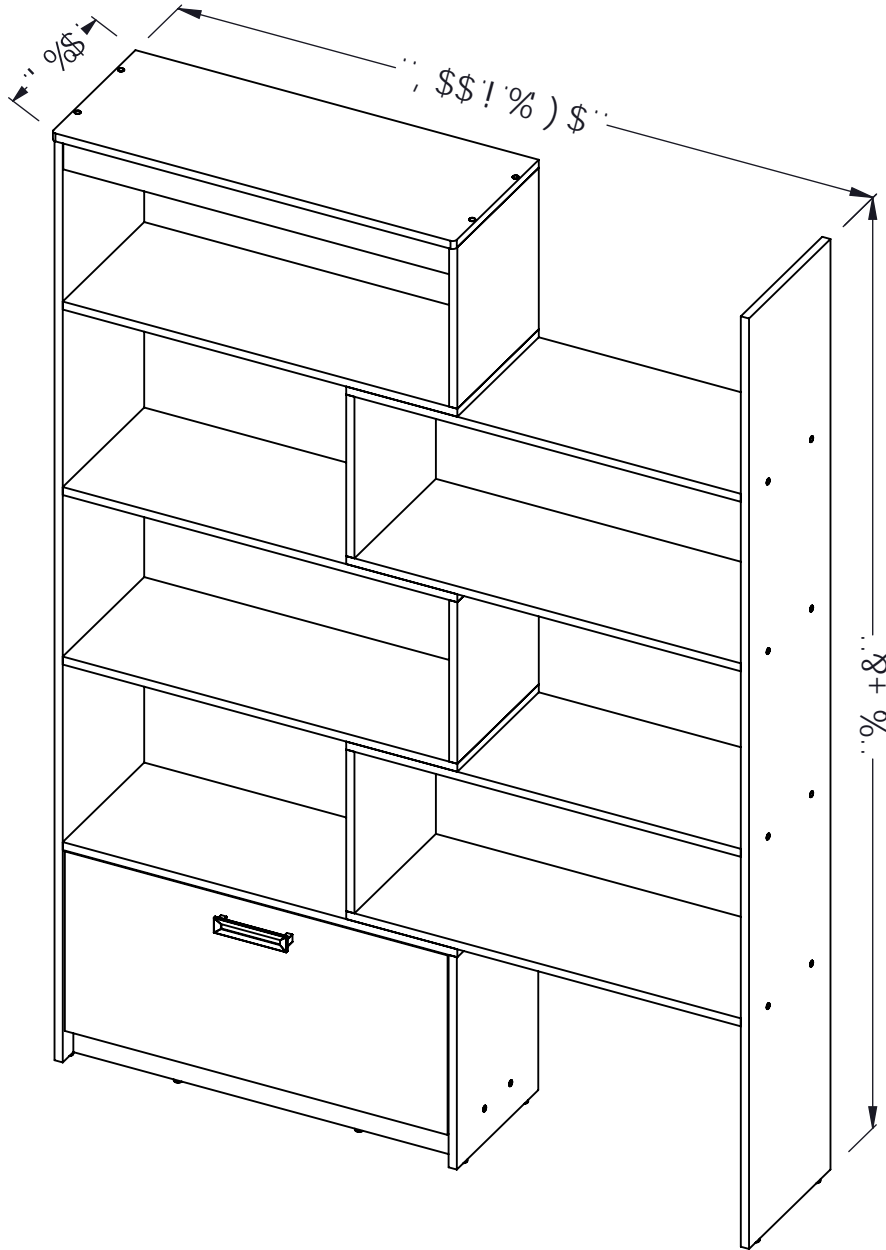
-V

#- U

h0h
-V

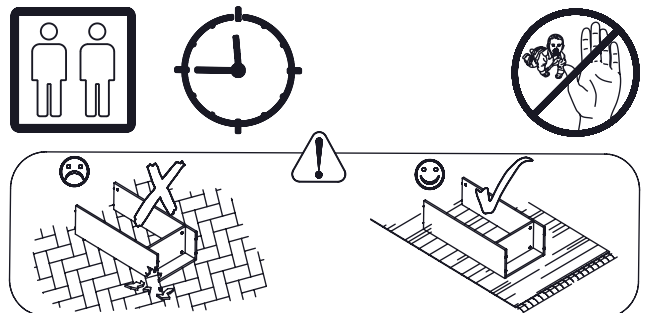
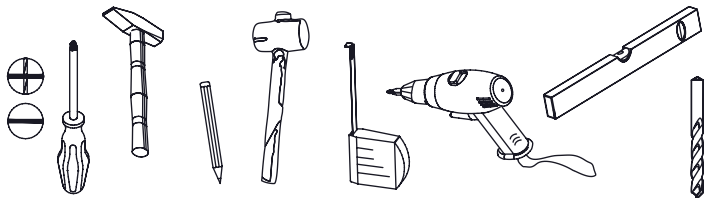
) - t
#- h

" t' f %
" i l X E " c a

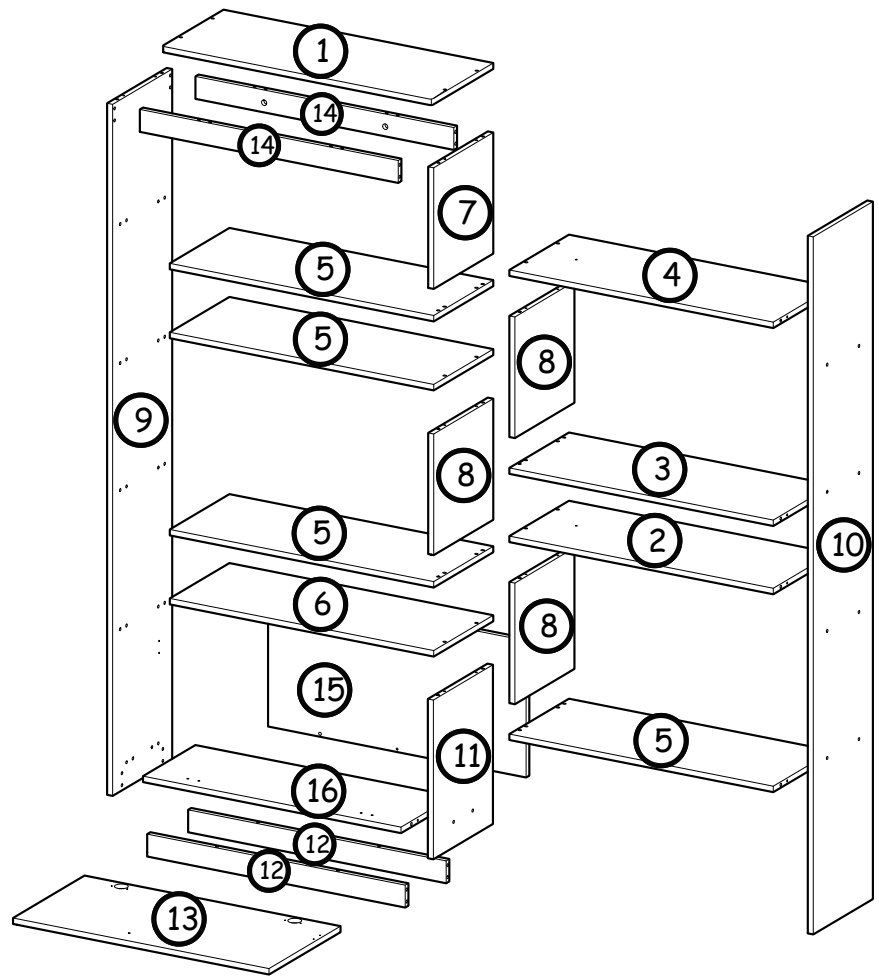
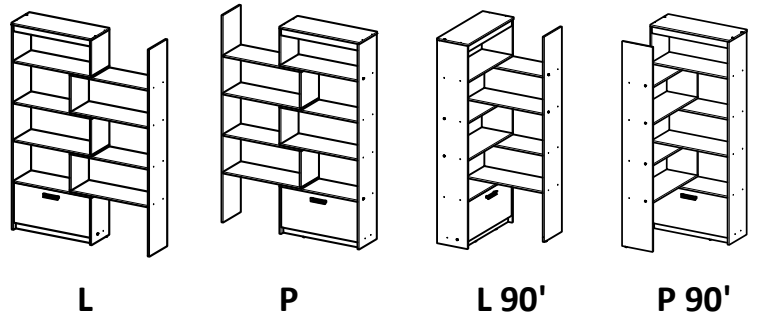





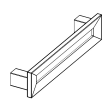

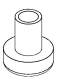






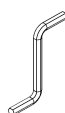



h0V

) - 7 U

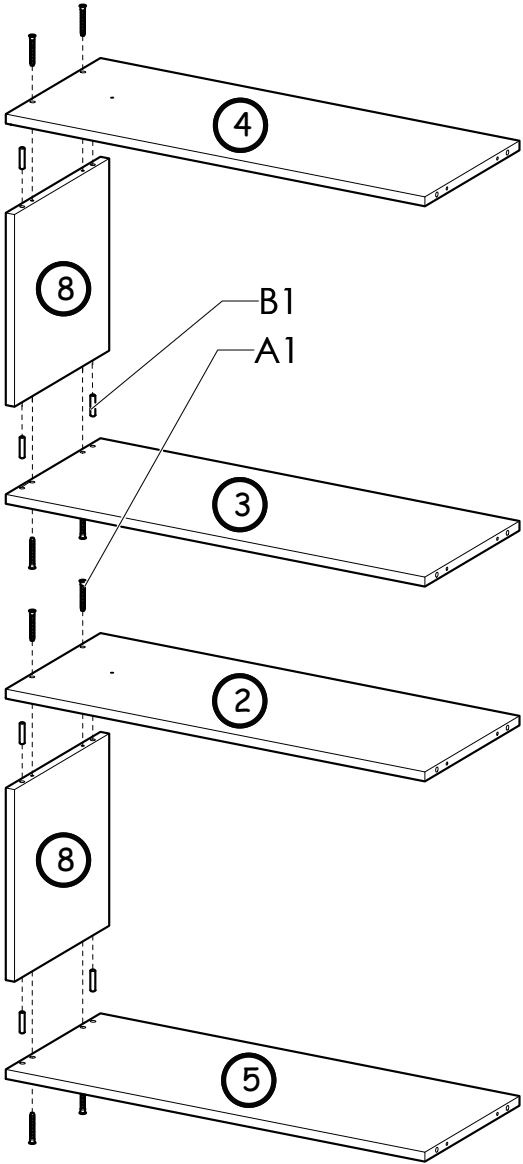


Nr	Xmm	Ymm	Zmm	Szt.
1	784	310	16	1
2	768	300	16	1
3	768	300	16	1
4	768	300	16	1
5	768	300	16	4
6	768	300	16	1
7	324	300	16	1
8	324	300	16	3
9	1850	300	16	1
10	1866	300	16	1
11	426	300	16	1
12	751	60	16	2
13	360	745	16	1
14	751	60	16	2
15	751	366	16	1
16	751	264	16	1

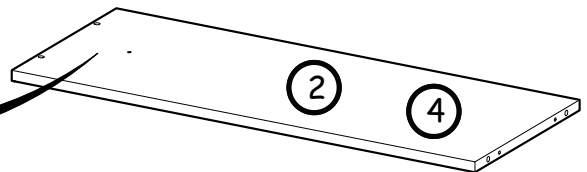
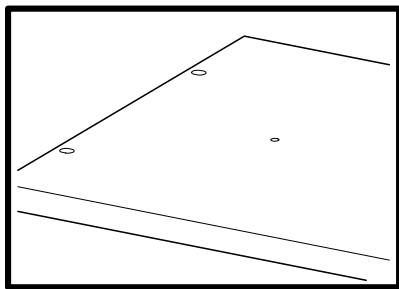
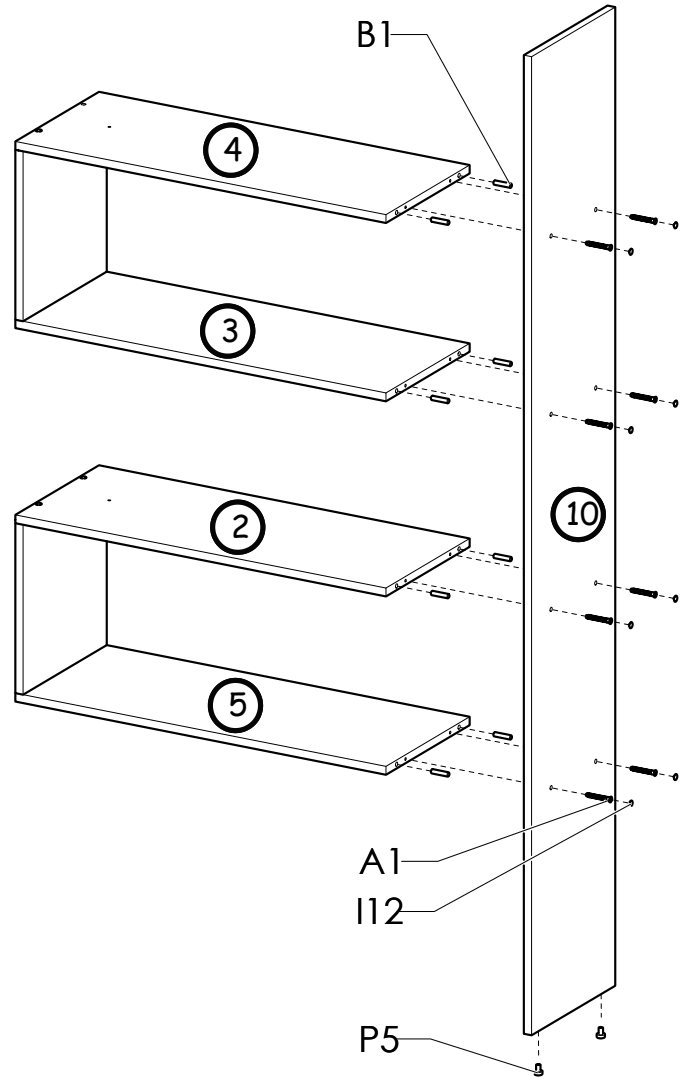


C3 2 x 	G34 4 x 3,5x16 	D3 2 x 	E40 1 x 128mm 	N15 2 x M4x25 	P5 11 x 
B1 68 x Ø8x35 	A1 40 x Ø7x50 	I12 24 x Ø4/Ø10 	K5 5 x 34mm 	K1 5 x Ø15x12 	I20 5 x Ø4/Ø17 
W2 1 x 4mm 	L10 1 x 	I8 3 x Ø8/Ø10 	G3 2 x 4x30 		

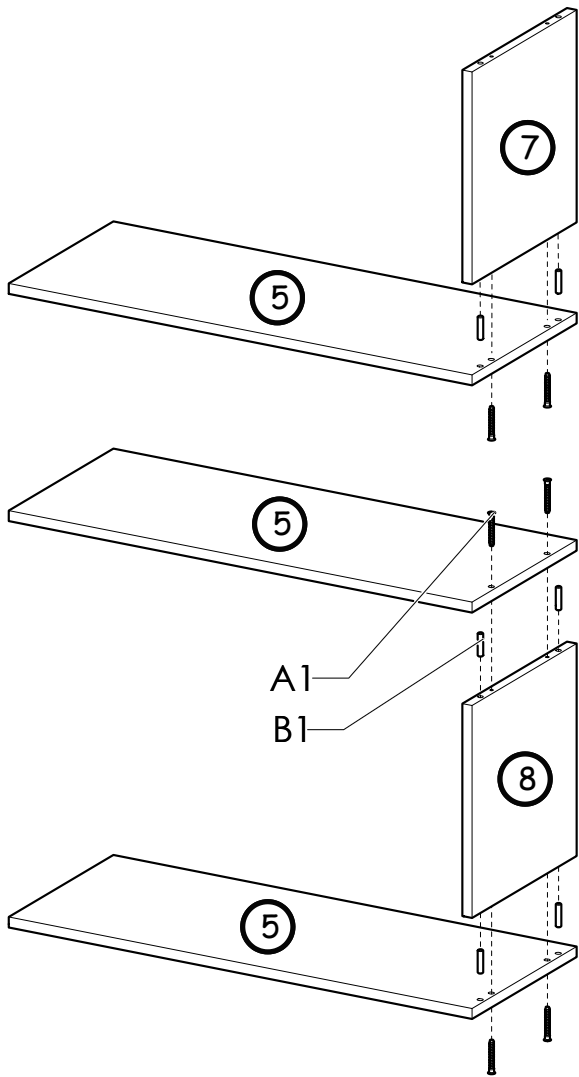
I



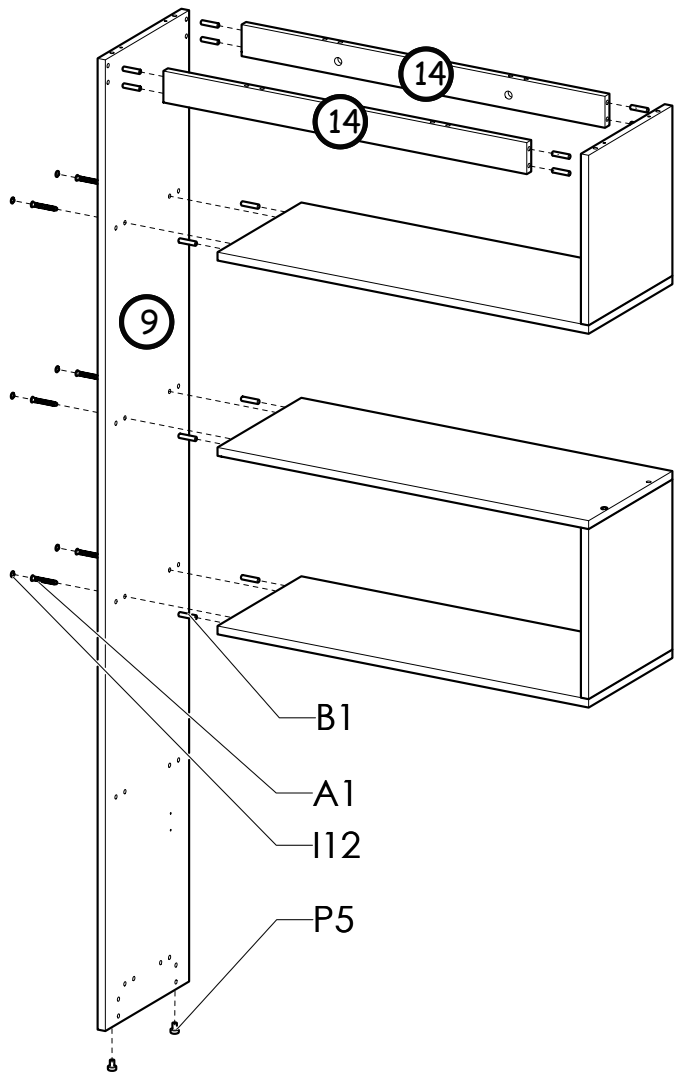
II



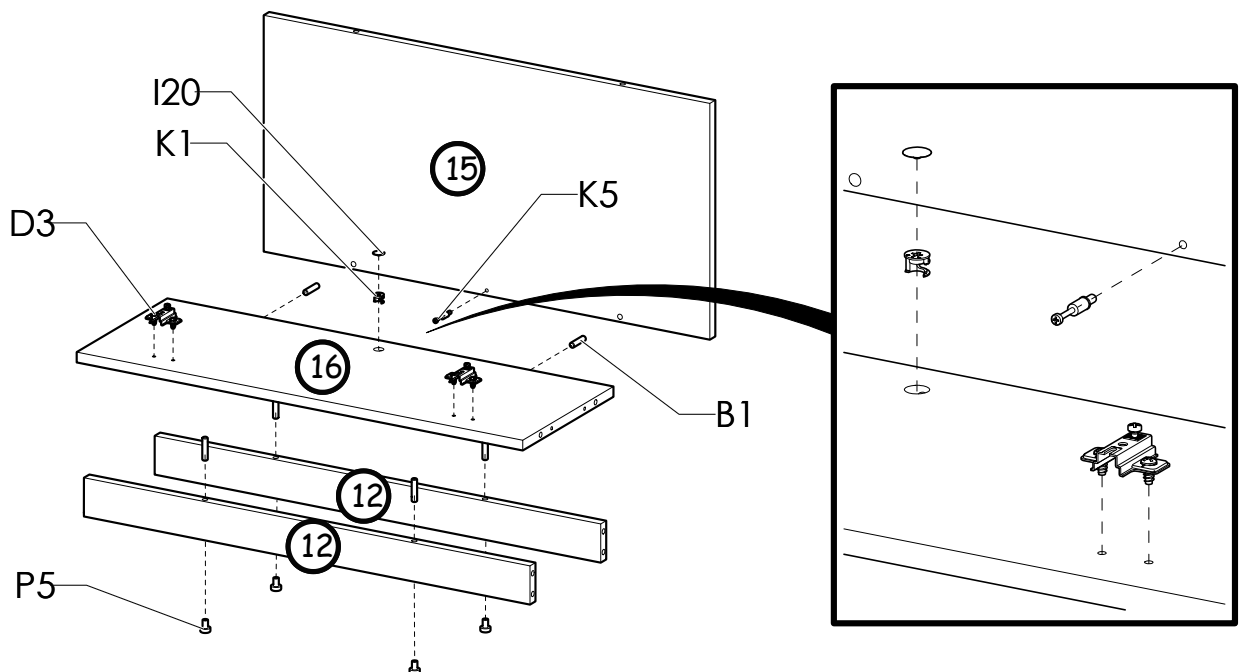
III



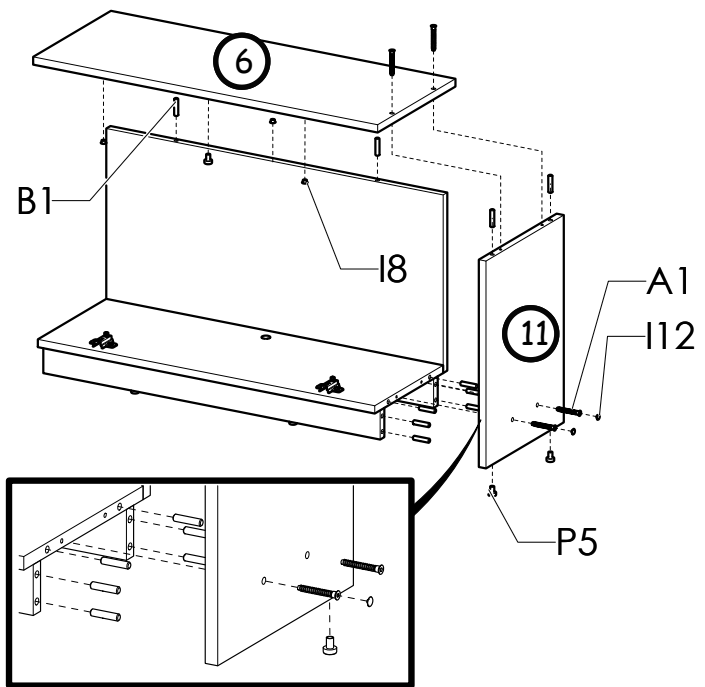
IV



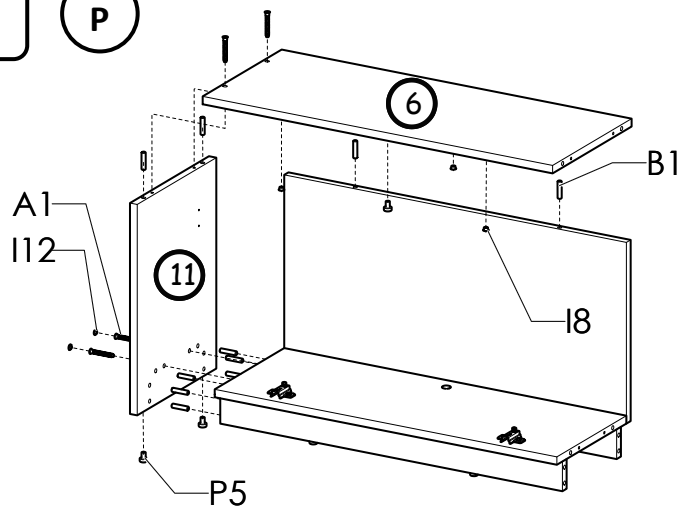
V



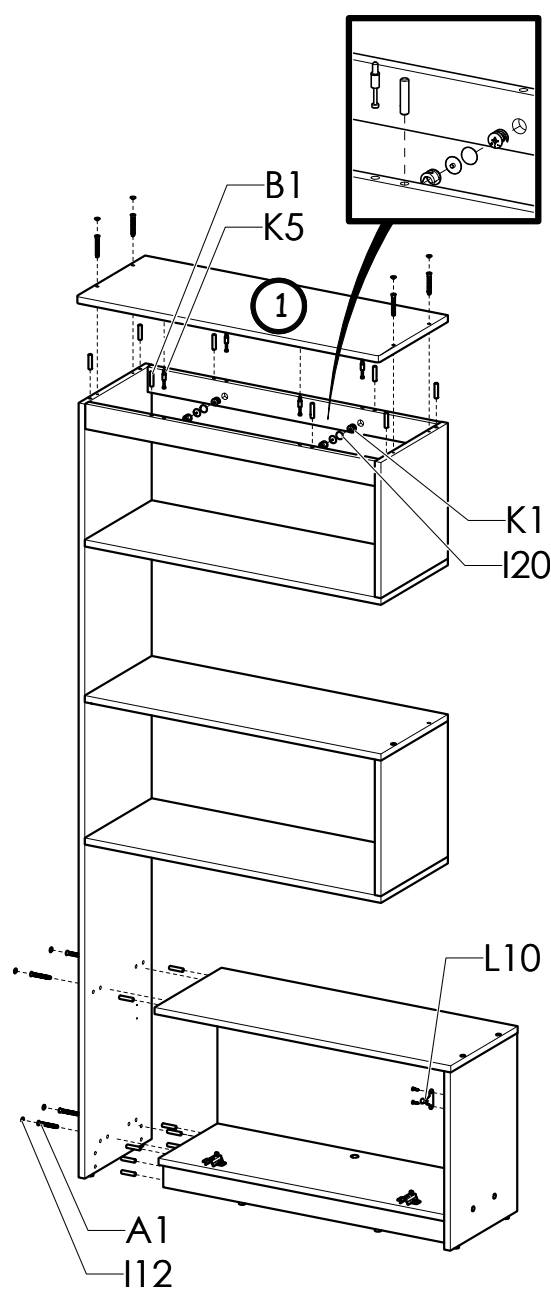
VI a (L)



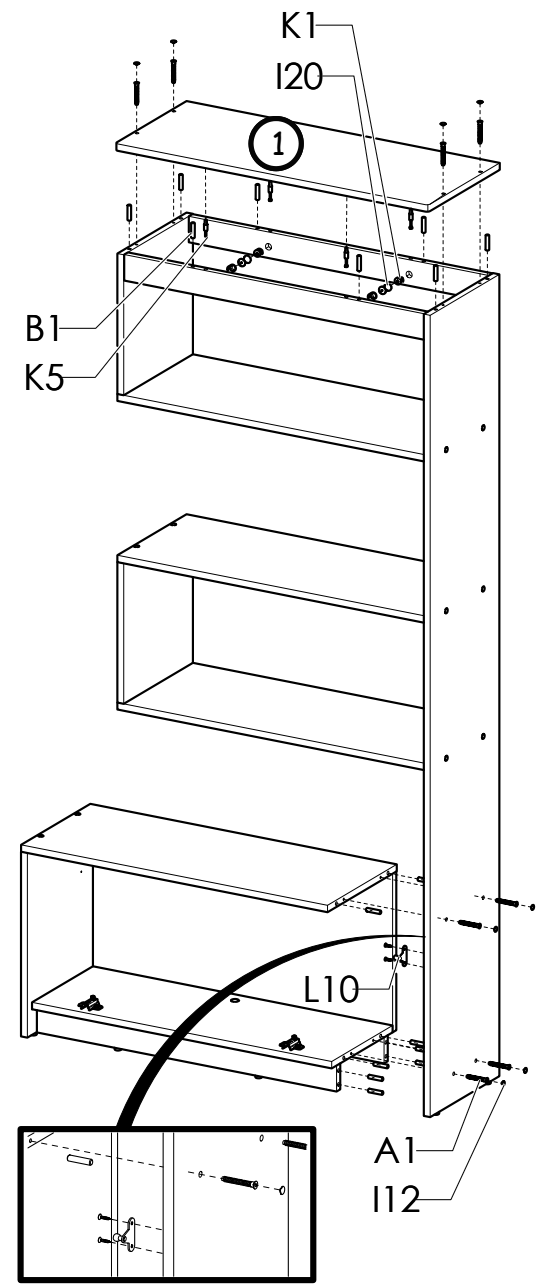
VI b (P)



VII a (L)

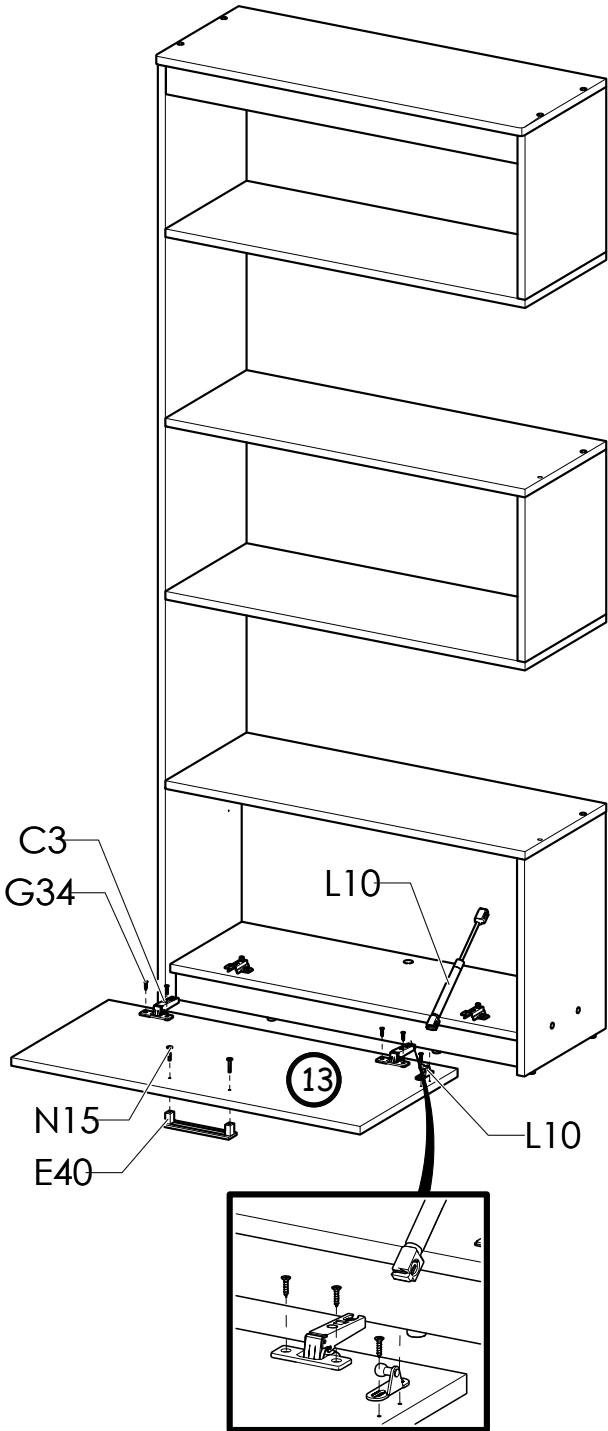


VII b (P)



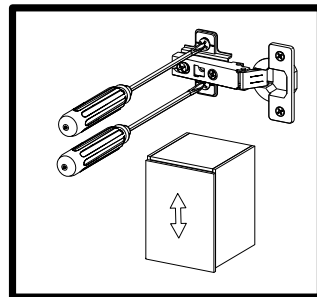
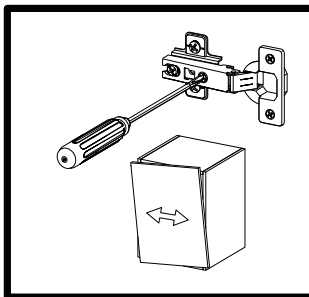
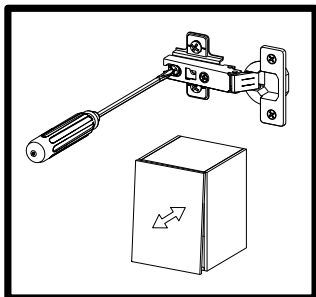
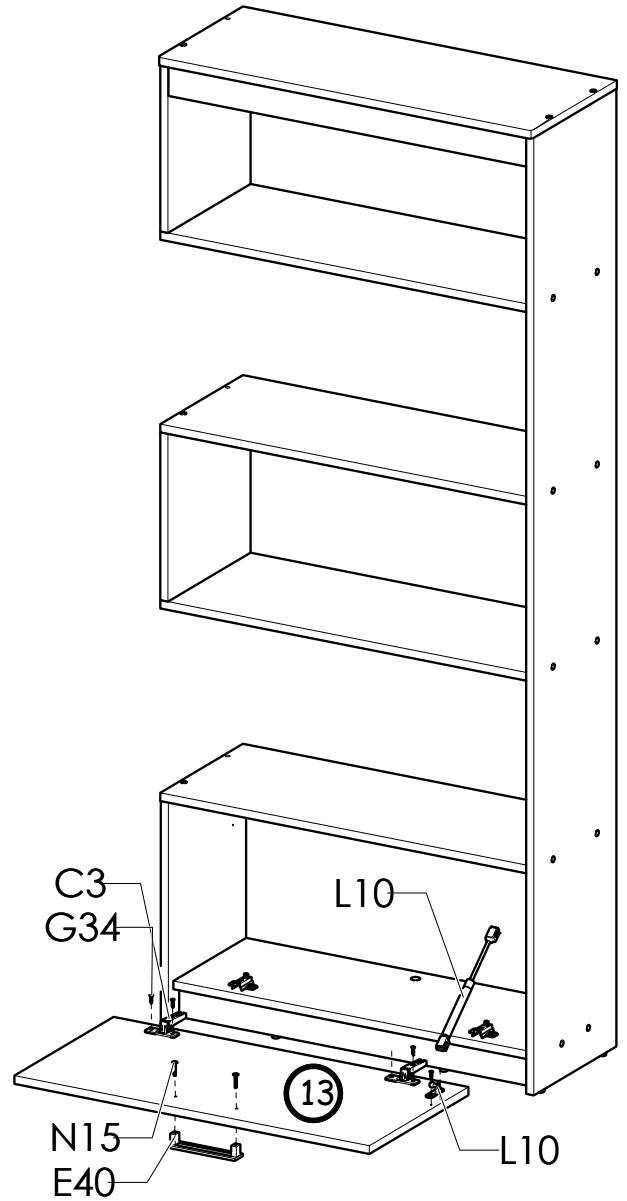
VIII a

L



VIII b

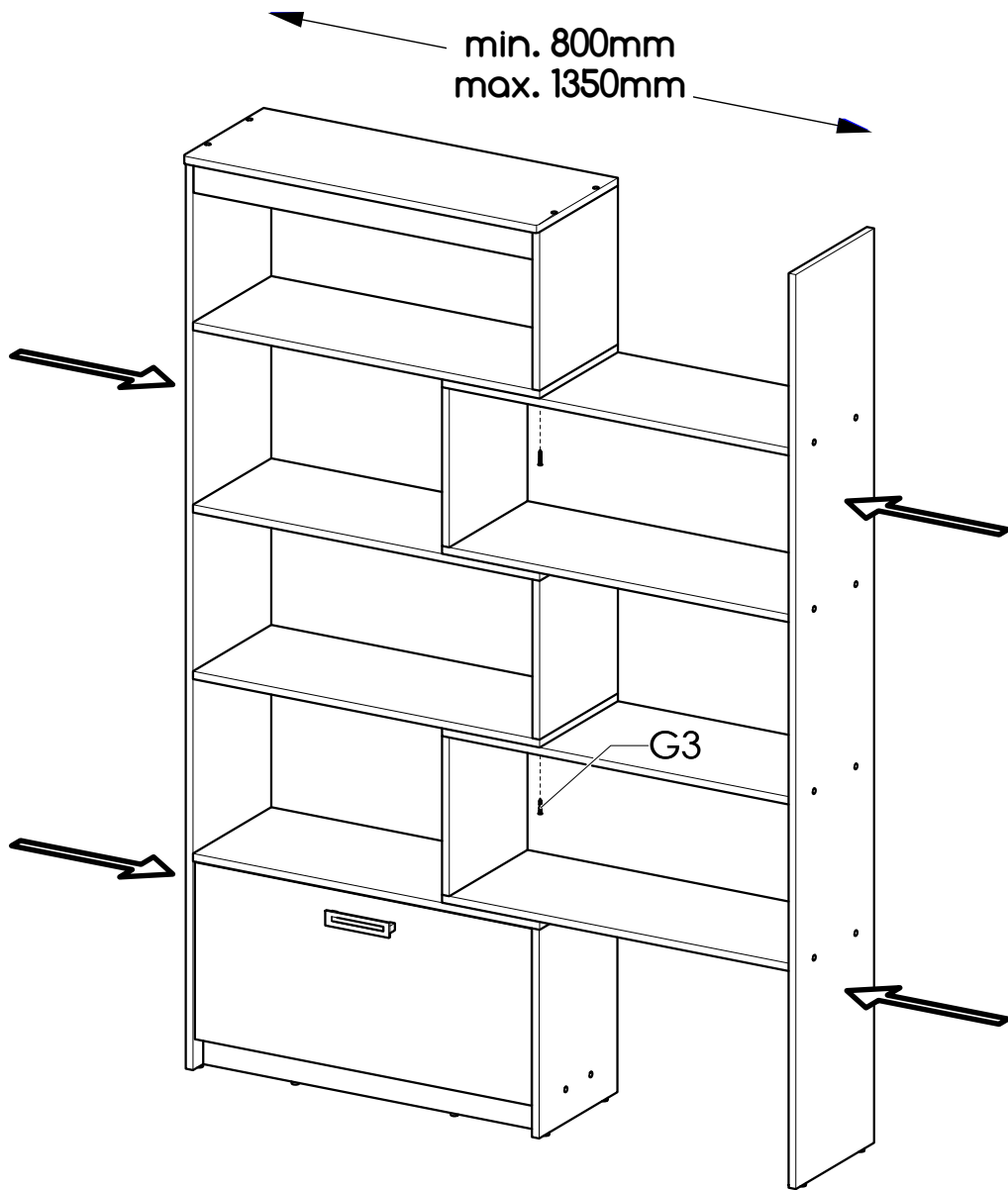
P



IX a

L

P



IX b

L 90'

P 90'

